

# CPC1450

1 phase | 400 V | 50 A | Power Controller



## Main circuit

Output type	⚡ SCR
Number of outputs	1
Rated voltage	400 V AC
Output voltage range	380 ... 480 V
Reverse voltage	1,200 V <sub>rrm</sub>
Peak reverse voltage	1,300 V <sub>rrm</sub>
Rated current AC-1	50 A
Recommended minimum contact load	10 mA
Leakage current	1 mA
Rated limit load	1,800 A <sup>2</sup> s

## Control circuit

Nominal voltage	24 V AC/DC
Operating voltage range	0.5 ... 1.5 U <sub>N</sub>
Pick-up voltage	≤ 12 V
Release voltage	≥ 12 V
Pick-up time	20 ms
Release time	20 ms
Control input	0 ... 20 mA / 4 ... 20 mA / 0 - 10 V
Potentiometer input	0 - 10 kΩ

## Insulation

Rated insulation voltage	660 V
Rated impulse withstand voltage open contact	4 kV / 1 min
Pollution degree	3
Overvoltage category	III

## General data

Storage temperature (no ice)	-20 ... 80 °C
Operation temperature	-5 ... 40 °C
Ambient temperature operation derated power	-5 ... 60 °C, 0.7 I <sub>N</sub>
Conductor cross section control / main circuit	1.5 mm <sup>2</sup> / 10 mm <sup>2</sup>
Nominal screw torque control / main circuit	0.5 Nm / 1.2 Nm
Dimensions	fig. 2
Weight	650 g
Ingress Protection	IP 20
Housing material	PPE
Mounting	TH35 (EN 60715) or back panel mounting

## Product references

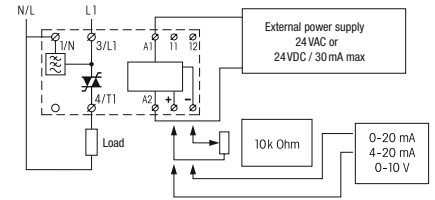
Description	Type
Power controller, 1 phase	CPC1450
Other power and voltages on request. Please contact support@comatreleco.com.	

## Accessories

Thermal overload protection	P82-100C
-----------------------------	----------

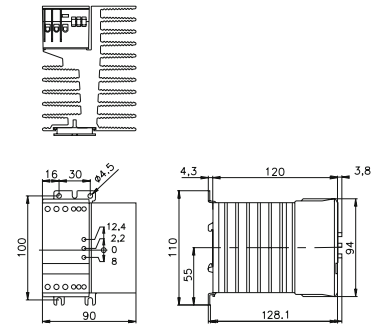


fig. 1. Wiring diagram



11-12: Thermostat

fig. 2. Dimensions (mm)



## Technical approvals, conformities

Standards 50022; 60068; IEC/EN 60947

Approvals