

CMC16

DC motor controller | analogue inputs 4 ... 20 mA | variable speed

Power supply

Nominal voltage	12 ... 24 V DC
Operating voltage range	8 ... 28 V DC
Maximum current consumption without load	10 mA
Power consumption 12 V DC	120 mW
Power consumption 24 V DC	240 mW

Main circuit

Output type	⚡ MOSFET H bridge
Rated voltage	24 V DC
Output voltage range	8 ... 28 V DC
Rated current	10 A
Maximum inrush current	20 A, 3 s
Rated limit load DC-5	240 W

Control circuit

Nominal operating current range	4 ... 20 A
Ramp up	0 ... 2 s
Ramp down	0 ... 2 s
Resolution	8 Bit
Input impedance	190 Ω

General data

Ambient temperatur storage (no ice)	-40 ... 85 °C
Ambient temperatur operation	-25 ... 70 °C
Nominal screw torque control	2.5 mm ²
Dimension	fig. 3.
Weight	80 g
Protection degree	IP 20
Housing material	Aluminium
Mounting	TS-35 or back panel mounting

Product reference

Description	Type	12-24
DC	CMC16/DC...V	✓

Other voltages on request. Please contact support@comatreleco.com.

«...» List coil voltage to complete product references

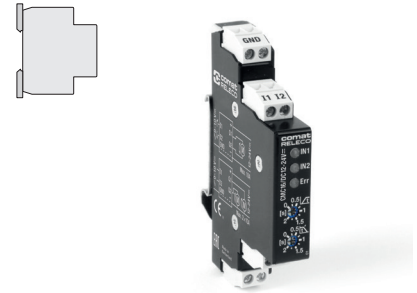


fig. 1. Wiring diagram

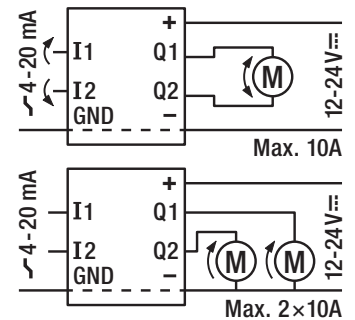


fig. 2. Function diagram

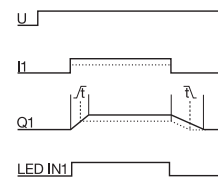
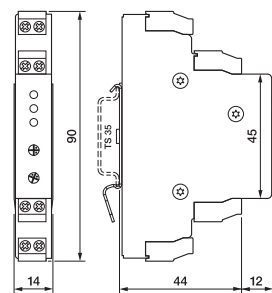


fig. 3. Dimension (mm)

**Standards and approvals**

Standards EN 61000-6; EN 61000-4; EN 55022;
EN 60730-1

Approvals