

# CMS-ANT-MAG2/EXT-2.0M

GSM magnetic mount antenna for outdoor use | 2 m cable



## Communication

Communication Standards	LTE
Frequencies	617 ... 960 MHz, 1710 ... 6000 MHz
Antenna connector type	SMA male
Cable type / length	RG 174 / 2m
Impedance	50 Ω
Maximum power	25 W
Gain	3 dBi (619-960MHz), 4 dBi (1701-2170MHz), 5 dBi (2170-2700MHz), 6 dBi (3400-3800MHz), 8 dBi (4000-6000MHz)
Radiation pattern / polarization	Omni Directional / Vertical
VSWR	<2.5:1

## General data

Operation	for indoor and outdoor use
-----------	----------------------------

## Housing and environmental conditions

Operation temperature	-40 ... 80 °C / -40 ... 176 °F
Ingress Protection	IP66
Mounting	Magnetic mount, wind speed max. 160 km/h (100 mph)
Housing material	UV stable ASA and Aluminium
Dimensions	see fig. 1
Weight	300 g
Mounting position	vertical

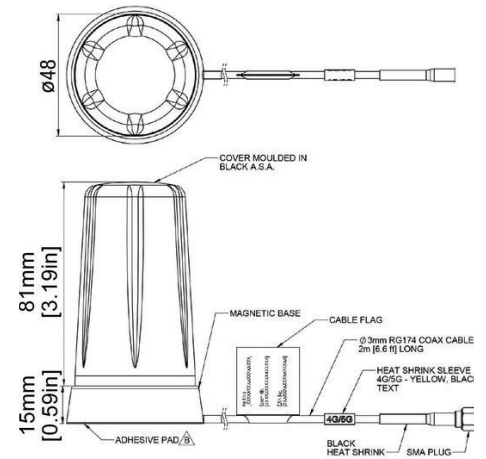
## Product references

Description	Type
Exterior antenna	CMS-ANT-MAG2/EXT-2.0M

Other cable length on request. Please contact support@comatreleco.com.



fig. 1. Dimensions (mm)



## Technical approvals, conformities

Standards RoHs: compliant