

# CMS-ANT-BLADE/INT-150MM

GSM device antenna 150 mm for indoor use | without cable



## Communication

Frequencies	617 ... 960 MHz, 1452 ... 2960 MHz, 3300 ... 5925 MHz
Antenna connector type	SMA male
Cable type / length	without cable
Impedance	50 Ω
Maximum power	1 W
Max bending radius	25 mm
Gain	0 - 3 dBi
Radiation pattern / polarization	Omni Directional / Linear Vertical
VSWR	3.5 max.

## General data

Operation	for indoor use only
-----------	---------------------

## Housing and environmental conditions

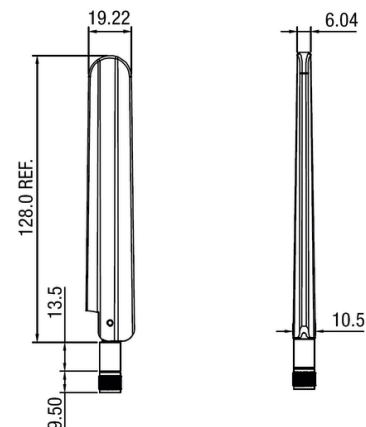
Operation temperature	-40 ... 80 °C / -40 ... 176 °F
Ingress Protection	IP42
Mounting	directly onto device
Housing material	PC+PBT / ABS, UV-Resistant: not required
Dimensions	see fig. 1
Weight	120 g
Mounting position	vertical

## Product references

Description	Type
Interior antenna	CMS-ANT-BLADE/INT-150MM



fig. 1. Dimensions (mm)



## Technical approvals, conformities

Standards RoHs: compliant