

# CCMB3H425

3 phase | 400 V | 25 A | Starting Torque Limiter with dynamic brake



## Main circuit

Number of outputs	3
Controlled phases	2
Output type	⚡ Thyristor
Bypass	Externally
Rated voltage	400 V
Output voltage range	400 ... 480 V AC
Reverse voltage	1,600 V <sub>rrm</sub>
Peak reverse voltage	1,650 V <sub>rrm</sub>
Rated current AC-53a	25 A
Minimum load	1 A
Leakage current	5 mA
Inrush current	200 A
Rated limit load	6,300 A <sup>2</sup> s

## Control circuit

Operating voltage range	24 - 230 V AC/DC
Release voltage	5 V AC/DC
Pick-up time	100 ms
Release time	100 ms
Ramp-up time	0.5 ... 10 s
Brake current	0 ... 85 %
Torque adjustment	0 ... 85 %
Rated frequency	50 / 60 Hz
Pollution degree	3
Overtoltage category	III

## General data

Ambient temperature storage (no ice)	-20 ... 80 °C
Ambient temperature operation	-5 ... 40 °C
Ambient temperature operation derated power	-5 ... 60 °C
Conductor cross section control / main circuit	2.5 mm <sup>2</sup> / 6 mm <sup>2</sup>
Dimension	fig. 2
Weight	1050 g
Protection degree	IP 20
Housing material	PPE
Mounting	TS 35 or Back Panel Mounting

## Product references

Description	Type
Starting Torque Limiter with dynamic brake, 3 phase	CCMB3H425

## Accessories

Thermal overload protection	P82-100C
-----------------------------	----------



fig. 1. Wiring diagram

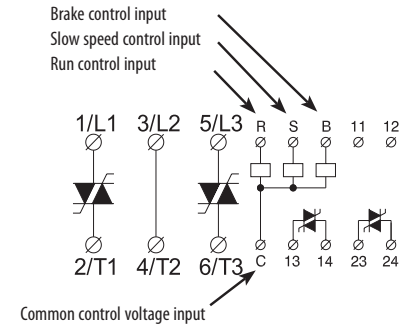
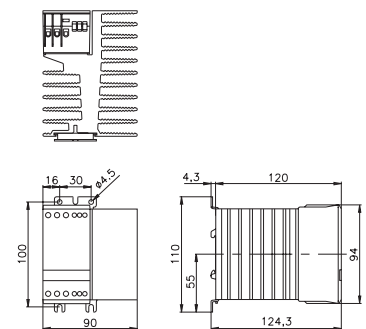


fig. 2. Dimension (mm)



## Technical approvals, conformities

Standards IEC/EN 60947-4-2

Approvals