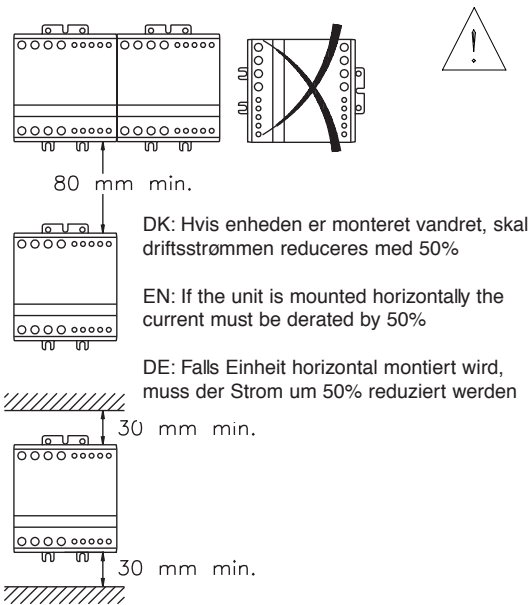
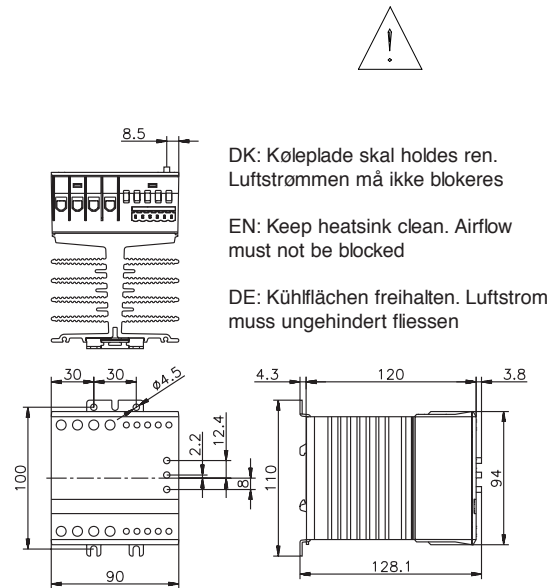


Montering – Mounting – Montage

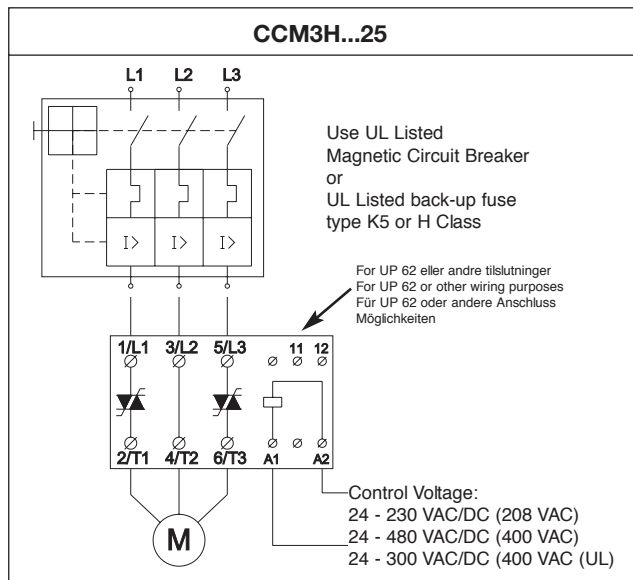


Dimensioner – Dimensions – Dimensionen



Forbindelse – Wiring – Verdrahtung

75°C Wire/ Kabel	mm ²	mm ²
*	1 x 1.5 - 6	1 x 0.5 - 1.5
	2 x 1.5 - 6	2 x 0.5 - 0.75
*	1 x 1.5 - 6	1 x 0.5 - 1.5
	2 x 1.5 - 6	2 x 0.5 - 1.5
*	1 x 1 - 10	1 x 0.5 - 1.5
	2 x 1 - 6	2 x 0.5 - 1.5
	Pozidrive 2 1.2 Nm max.	
	6 mm 0.2 Nm max.	3 mm 0.4 Nm max.



-* UL Tested
- Vigtigt (Overhold max skruedrejningsmomenter)
- Important: (Observe the maximum screw torque limits)
- Wichtig: (Max. Drehmoment beachten)
 Do not connect power factor correction capacitors to the output.

DK: Hvis beskyttet med sikringer, se specifikationer i datablad
 EN: If protection with fuses, see recommendation in data-sheet
 DE: Falls Sicherungen verwendet werden, Empfehlungen im Datenblatt beachten

This product has been designed for class A equipment. Use of the product in domestic environments may cause radio interference, in which case the user may be required to employ additional mitigation methods.

Use thermal overload protection as required by the National Electric Code. When protected by a non-time delay K5 or H Class fuse, rated 266 % of motor FLA, this device is rated for use on a circuit capable of delivering not more than 5,000 rms. symmetrical amperes, 600 V maximum. Maximum surrounding temperature 40°C.

DK: Se specifikationer i datablad EN: See recommendation in datasheet DE: Empfehlungen im Datenblatt beachten.