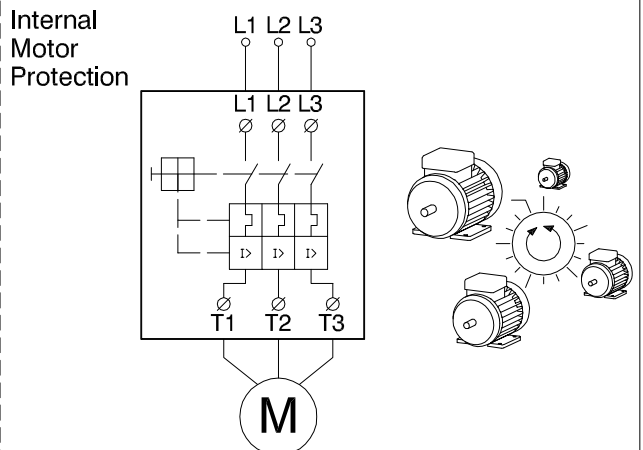
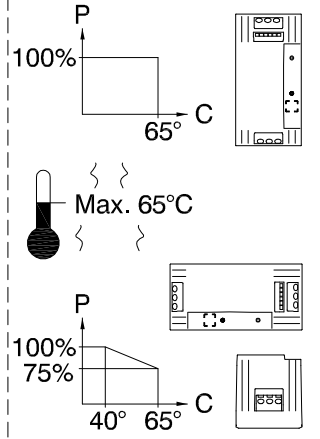
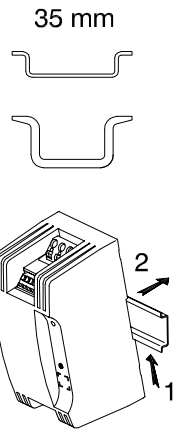
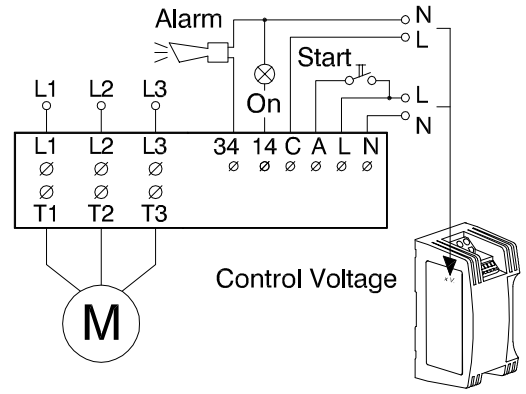
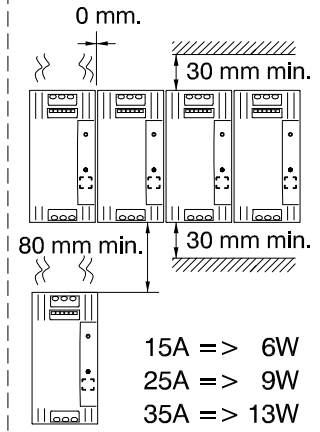
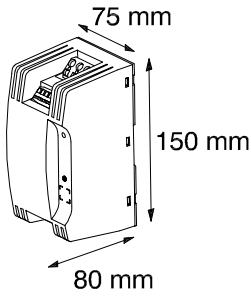
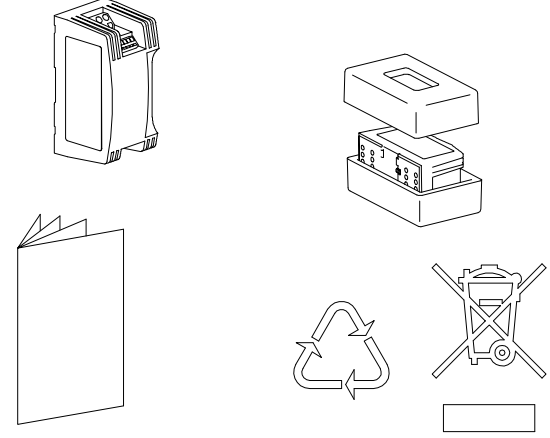
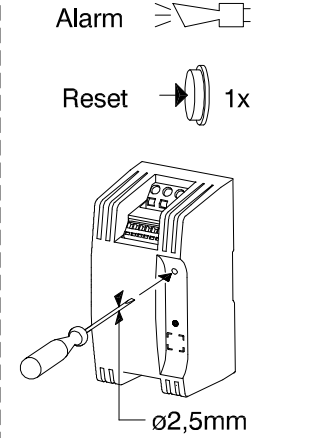
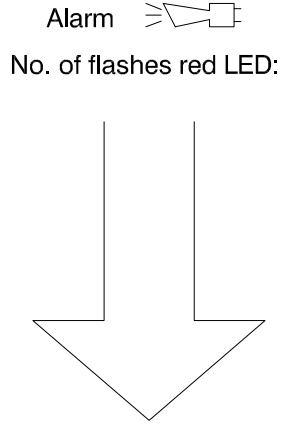
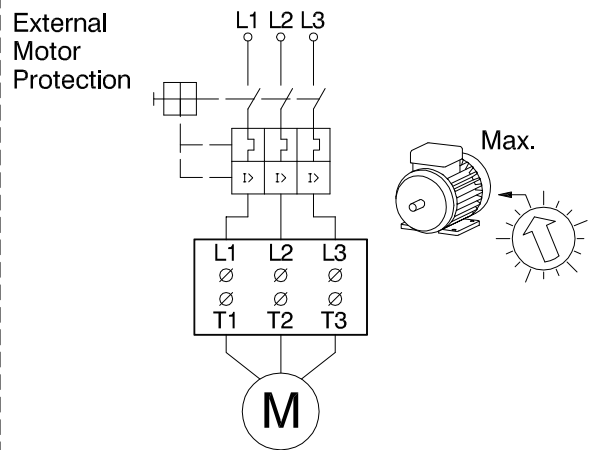


CCL33H...US



mm ²	75°C Cu wire	mm ²
0.5-2.5	11-12 mm	1.5-6
0.5-1.5		1.5-4



Ready mode: The yellow LED is flashing steady slowly.
Run mode : The yellow LED lights steady.
Pause mode: The yellow LED is flashing steady fast.
Fault mode : The yellow LED is flashing 10 times sequence and the red LED is flashing with a fault-code sequence.